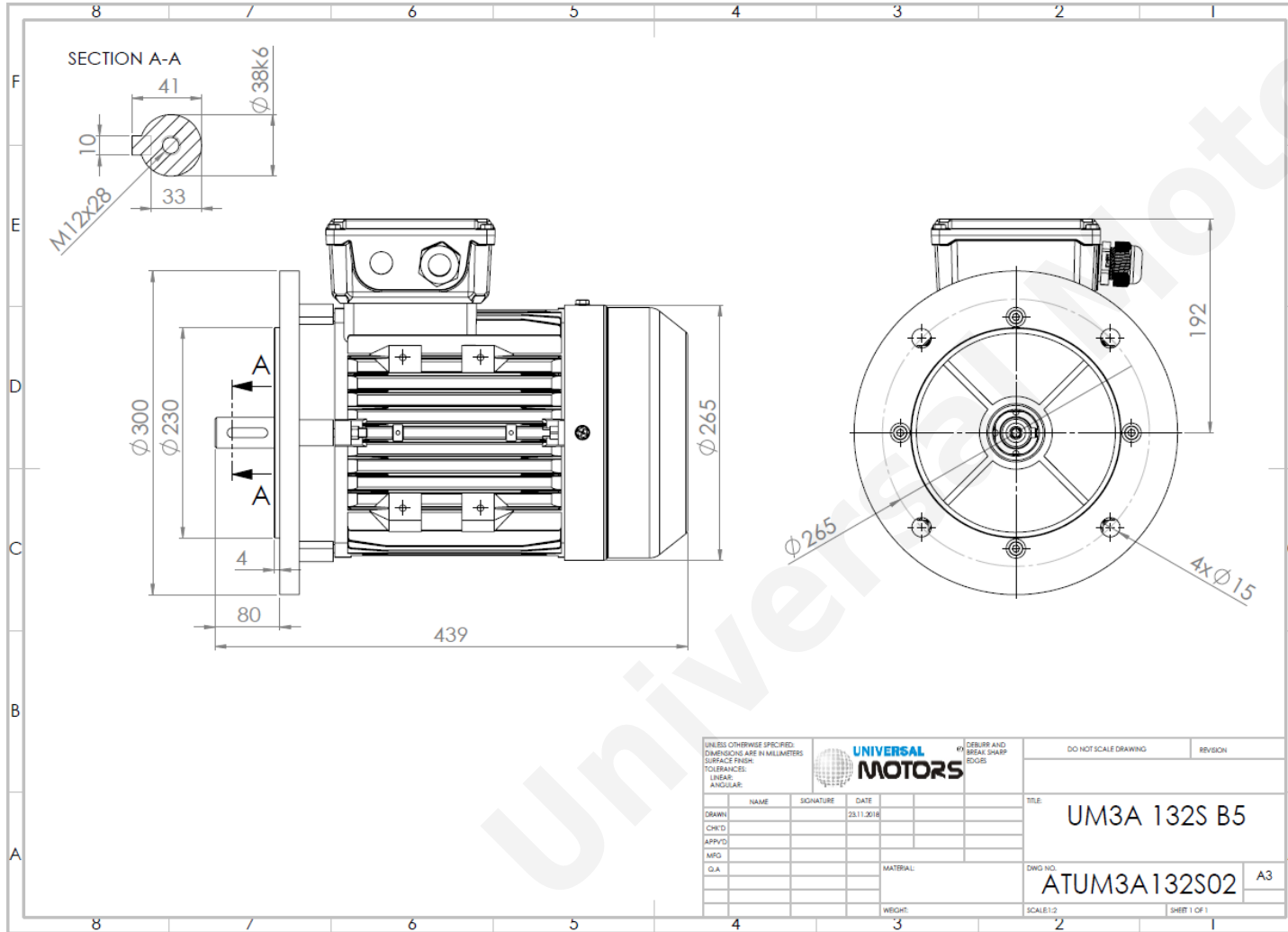




TECHNICAL DATA

Three Phase Electric Motors - Aluminum Frame
 PE31 132S-6
 3.0 kW / 4.0 Cv
 955 RPM



Motor type:	PE31 132S-6
Output:	3.0 kW / 4.0 Cv
Speed (min ⁻¹):	955 RPM
Frequency:	50 Hz
Voltage:	400 V
Current:	6.8 A
Power factor (Cos Ø):	0.74
Poles:	6
Insulation class:	F
Temperature rise Class:	B
Efficiency 50%:	83.5 %
Efficiency 75%:	86.0 %
Efficiency 100%:	85.6 %
Torque:	30.0 N.m
Tstarting/Tnominal:	2.0
Istarting/Inominal:	6.2
Tmaximum/Tnominal:	2.1
Noise:	70 Db(A)
Weight:	43.0 Kg
Bearing DE:	6308 2Z C3
Bearing NDE:	6308 2Z C3

UNLESS OTHERWISE SPECIFIED: DIMENSIONS ARE IN MILLIMETERS SURFACE FINISH: TOLERANCES: LINEAR: ANGULAR:			UNIVERSAL MOTORS		# DEBURR AND BREAK SHARP EDGES	DO NOT SCALE DRAWING	REVISION
DRAWN	NAME	SIGNATURE	DATE	TITLE: UM3A 132S B5			
CHK'D			23.11.2018				
APP'VD							
MFG							
Q.A.							
				MATERIAL:	DWG NO.:		A3
				WEIGHT:	SCALE: 1:2		SHEET 1 OF 1

Regime - S1

Altitude - 1000m

Environment Temperature - 40°C

CONTACTS:

UNIVERSAL MOTORS Tel: +351 252 299 080
 Rua de São Brás,745 Fax: +351 252 299 089
 4480-782 VILA DO CONDE Mail: geral@universalmotors.pt

* References applied only in the UK